



SPECIFICATION SHEET - appliances

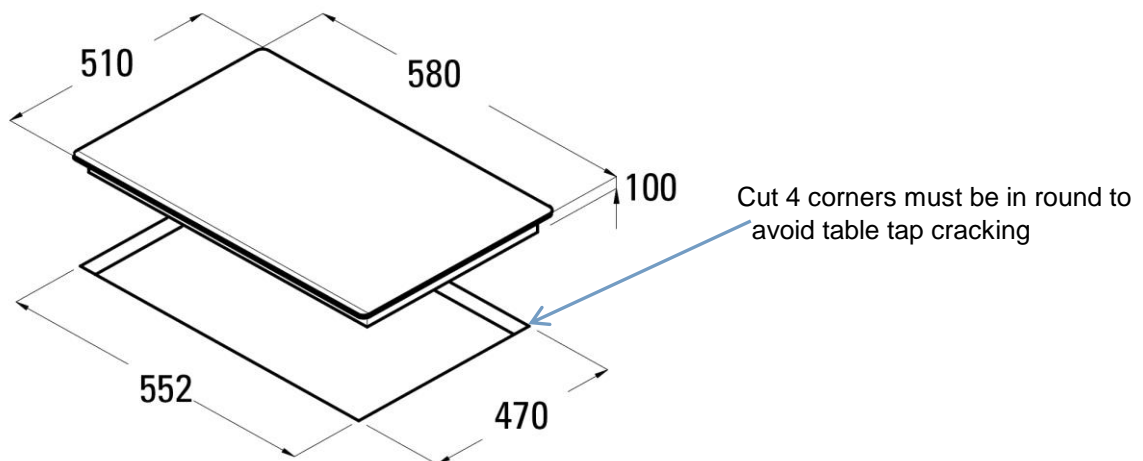
| | | |
|---------------------------------|---|---|
| BRAND: |  | Product Photo:  |
| ORIGIN: | SPAIN | |
| SERIES: | LGD 631 A | |
| PRODUCT DESCRIPTION: | Built-in gas hob inox, with: - enameled grids - auto ignition & safety valve - 4 cooking zones 3.5kw triple ring 3.0kw fast + 1.0kw auxiliary 1.75kw semi fast | |
| MODEL No. | 0806.6002 | |
| FINISH/COLOUR: | STAINLESS STEEL | |
| DIMENSIONS: | 580 x 510mm | |
| OPTIONAL MATCHING PARTS: | | |

Technical Informations:

Voltage: 220V / 50~60 Hz

Power: **2500W**

Phase: single+grounding



| | |
|------------------|---|
| REMINDER: | Do not use cleaners containing abrasive cleansers, ammonia, bleach, acids, waxes, alcohol, solvents or other products not recommended for chrome. |
| | All information is for reference only, installation shall always be based on the actual product delivered. |